

1 RESOLUTION NO.

2 A RESOLUTION OF THE BOARD OF COUNTY
3 COMMISSIONERS OF BROWARD COUNTY, FLORIDA,
4 AUTHORIZING A PUBLIC HEARING REGARDING
5 VACATION PETITION NO. 2022-V-01, VACATING A
6 PORTION OF A 12-FOOT UTILITY EASEMENT LYING
7 WITHIN LOTS 1, 2, 3, 26, 27, AND 28 OF BLOCK 4 OF
8 PATTERSON PARK PLAT (PLAT BOOK 39, PAGE 33), AND
9 DIRECTING THE CLERK TO PUBLISH NOTICE OF SUCH
10 HEARING.

11 WHEREAS, it has been requested that the Board of County Commissioners of
12 Broward County, Florida ("Board"), vacate and annul a portion of a 12-foot utility
13 easement lying within Lots 1, 2, 3, 26, 27, and 28 of Block 4 of the Patterson Park Plat,
14 as recorded in Plat Book 39, Page 33, of the Public Records of Broward County, Florida,
15 said lands situate, being, and lying in Broward County, Florida, described in Exhibit A,
16 attached hereto; and

17 WHEREAS, pursuant to Section 177.101, Florida Statutes, and Chapter 5,
18 Article IX, of the Broward County Code of Ordinances, this Board is required to hold a
19 public hearing before said property may be vacated and annulled, NOW, THEREFORE,

20 BE IT RESOLVED by the Board that a Public Hearing shall be held at 10:00 a.m.,
21 on September 20, 2022, in Room 422 of the Broward County Governmental Center,
22 located at 115 South Andrews Avenue, Fort Lauderdale, Florida, to consider the vacation
23 and annulment of this interest.
24

1 BE IT FURTHER RESOLVED that the Clerk of this Board be and is hereby
2 authorized and directed to publish said notice of public hearing in the Sun-Sentinel
3 newspaper at least two (2) weeks prior to said date, inviting interested persons to appear
4 and be heard at the place and time herein specified.

5

6 ADOPTED this day of , 2022.

7

8 Approved as to form and legal sufficiency:
Andrew J. Meyers, County Attorney

9

10

By Alexis I. Marrero Koratich 06/14/2022
Alexis I. Marrero Koratich (date)
Assistant County Attorney

11

12

13

By Maite Azcoitia 06/14/2022
Maite Azcoitia (date)
Deputy County Attorney

14

15

16

17

18

19

20

21

22

AIK/gmb
Resolution Authorizing Public Hearing Release
06/14/2022
File #44000-0010

23

24

LEGAL DESCRIPTION:

ALL THAT PORTION OF THE PLATTED 12 FOOT UTILITY EASEMENT LYING WITHIN LOTS 1, 2, 3, 26, 27 AND 28, BLOCK 4, PATTERSON PARK, ACCORDING TO THE PLAT THEREOF, AS RECORDED IN PLAT BOOK 39, PAGE 33, OF THE PUBLIC RECORDS OF BROWARD COUNTY, FLORIDA, DESCRIBED AS FOLLOWS;

THE SOUTH 6 FEET OF SAID LOTS 1, 2 AND 3, TOGETHER WITH THE NORTH 6 FEET OF SAID LOTS 26, 27 AND 28.

SAID LANDS SITUATE IN THE CITY OF OAKLAND PARK, BROWARD COUNTY, FLORIDA. CONTAINING 2,880 SQUARE FEET OR (0.066 ACRES) MORE OR LESS.

NOTES:

BEARINGS SHOWN HEREON ARE BASED ON AN ASSUMED BEARING AND ARE REFERENCED TO THE NORTH RIGHT OF WAY LINE FOR N.W. 56th STREET, WHICH IS ASSUMED TO BEAR SOUTH 88°44'02" WEST.

THIS SKETCH AND DESCRIPTION CONSISTS OF 2 SHEETS AND EACH SHEET SHALL NOT BE CONSIDERED FULL, VALID AND COMPLETE UNLESS ATTACHED TO THE OTHER.

CERTIFICATE:

WE HEREBY CERTIFY THAT THIS SKETCH AND DESCRIPTION AND OTHER PERTINENT DATA SHOWN HEREON, OF THE ABOVE DESCRIBED PROPERTY, CONFORMS TO THE STANDARDS OF PRACTICE FOR LAND SURVEYING IN THE STATE OF FLORIDA, AS OUTLINED IN CHAPTER 5J-17, (FLORIDA ADMINISTRATIVE CODE) AS ADOPTED BY DEPARTMENT OF AGRICULTURE AND CONSUMER SERVICES, BOARD OF PROFESSIONAL SURVEYORS AND MAPPERS, PURSUANT TO CHAPTER 472.027, FLORIDA STATUTES AND THAT SAID SURVEY IS TRUE AND CORRECT TO THE BEST OF OUR KNOWLEDGE AND BELIEF.

CRAVEN THOMPSON & ASSOCIATES, INC.
 LICENSED BUSINESS NUMBER #271

LEGEND

- B.C.R. BROWARD COUNTY RECORDS
- P.B. PLAT BOOK
- PG. PAGE
- ☒ CENTERLINE

**Raymond
 Young**

Digitally signed by
 Raymond Young
 Date: 2022.03.18 15:52:14
 -04'00'

RAYMOND YOUNG
 PROFESSIONAL SURVEYOR AND MAPPER NO 5799
 STATE OF FLORIDA

THIS SKETCH AND DESCRIPTION OR COPIES THEREOF ARE NOT VALID WITHOUT THE SIGNATURE AND ORIGINAL RAISED SEAL OR A UNIQUE ELECTRONIC SIGNATURE OF A FLORIDA LICENSED PROFESSIONAL SURVEYOR AND MAPPER UNDER CHAPTER RULES 5J-17.061 & 5J-17.062 FLORIDA ADMINISTRATIVE CODE.

R: \SURVEY\2019\19-0059-001-01_N. ANDREWS GRDNS COMMUNITY
 CENTER\DRAWINGS\19-0059-001-01_SD_UE VACATE

THIS IS NOT A SKETCH OF SURVEY, but only a graphic depiction of the description shown hereon. There has been no field work, viewing of the subject property, or monuments set in connection with the preparation of the information shown hereon.

The undersigned and CRAVEN-THOMPSON & ASSOCIATES, INC. make no representations or guarantees as to the information reflected hereon pertaining to easements, rights-of-way, set back lines, reservations, agreements and other similar matters, and further, this instrument is not intended to reflect or set forth all such matters. Such information should be obtained and confirmed by others through appropriate title verification. Lands shown hereon were not abstracted for right-of-way and/or easements of record.

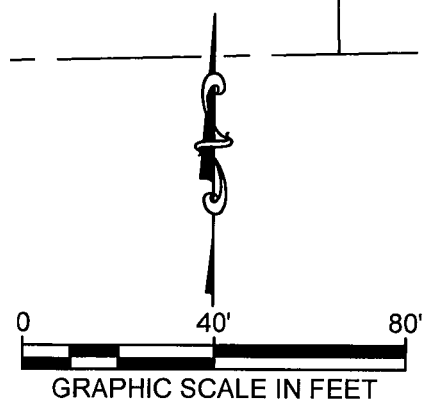
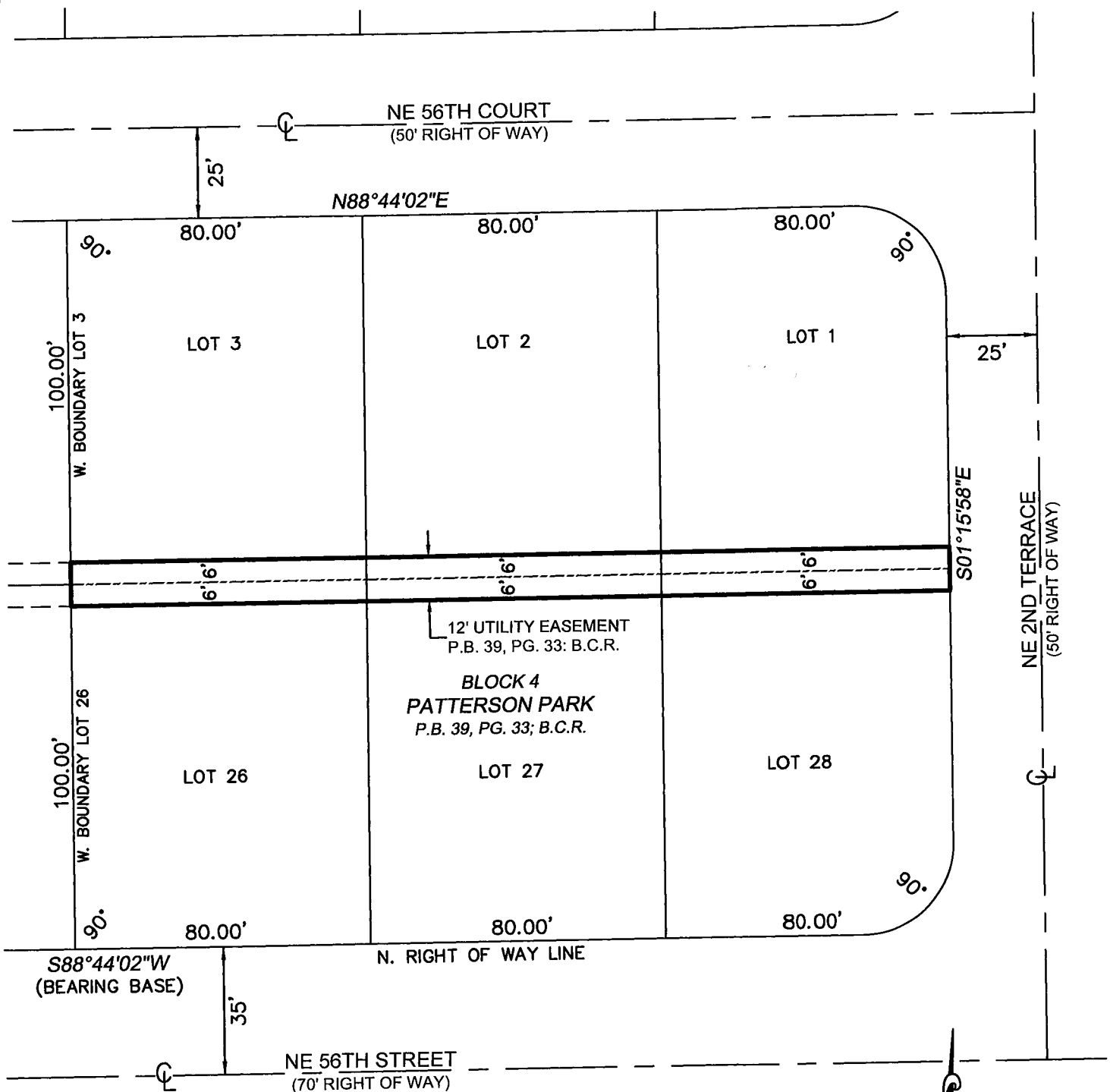
UPDATES and/or REVISIONS	DATE	BY	CK'D



CRAVEN • THOMPSON & ASSOCIATES, INC.
 ENGINEERS • PLANNERS • SURVEYOR'S
 3563 N.W. 53RD STREET, FORT LAUDERDALE, FLORIDA 33309 FAX: (954) 739-8409 TEL.: (954) 739-8400
 FLORIDA LICENSED ENGINEERING, SURVEYING & MAPPING BUSINESS No. 271
 MATERIAL SHOWN HEREON IS THE PROPERTY OF CRAVEN-THOMPSON & ASSOCIATES, INC. AND SHALL NOT BE REPRODUCED IN WHOLE OR IN PART WITHOUT WRITTEN PERMISSION. COPYRIGHT (C) 2022

JOB NO.: 19-0059-001-05	SHEET 1 OF 2 SHEETS
DRAWN BY: RY	F.B. N/A PG. N/A
CHECKED BY: MRM	DATED: 03-18-22

12' UTILITY EASEMENT TO BE VACATED



R:\SURVEY\2019\19-0059-001-01_N. ANDREWS GRDNS COMMUNITY
CENTER\DRAWINGS\19-0059-001-01_SD_UE VACATE

Craven • Thompson & Associates, Inc.
 ENGINEERS • PLANNERS • SURVEYOR'S
 3563 N.W. 53RD STREET, FORT LAUDERDALE, FLORIDA 33309 FAX: (954) 739-8400 TEL.: (954) 739-8400
 FLORIDA LICENSED ENGINEERING, SURVEYING & MAPPING BUSINESS No. 271
 MATERIAL SHOWN HEREON IS THE PROPERTY OF CRAVEN-THOMPSON & ASSOCIATES, INC. AND SHALL
 NOT BE REPRODUCED IN WHOLE OR IN PART WITHOUT WRITTEN PERMISSION. COPYRIGHT (C) 2022

JOB NO.: 19-0059-001-05	SHEET 2 OF 2 SHEETS
DRAWN BY: RY	F.B. N/A PG. N/A
CHECKED BY: MRM	DATED: 03-18-22

Howard County Engineering Division
Right of Way Section
1 North University Drive, Suite 3008
Plantation, FL 33324-2038

2022-V-01

Right of way approved - Public R/W

Right of way approved - Private Road

By: Jorge Sobrino SANCHEZ Date: 5/3/2022